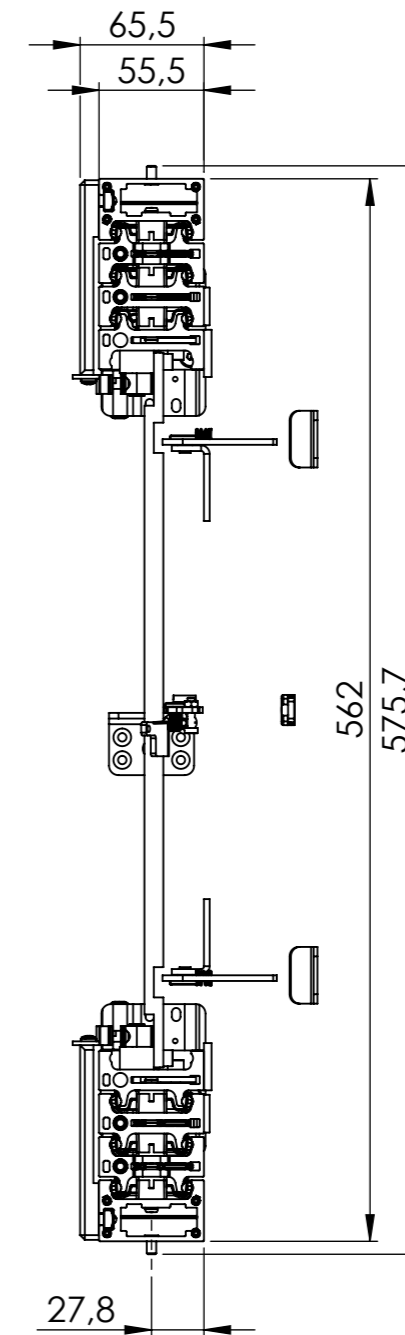
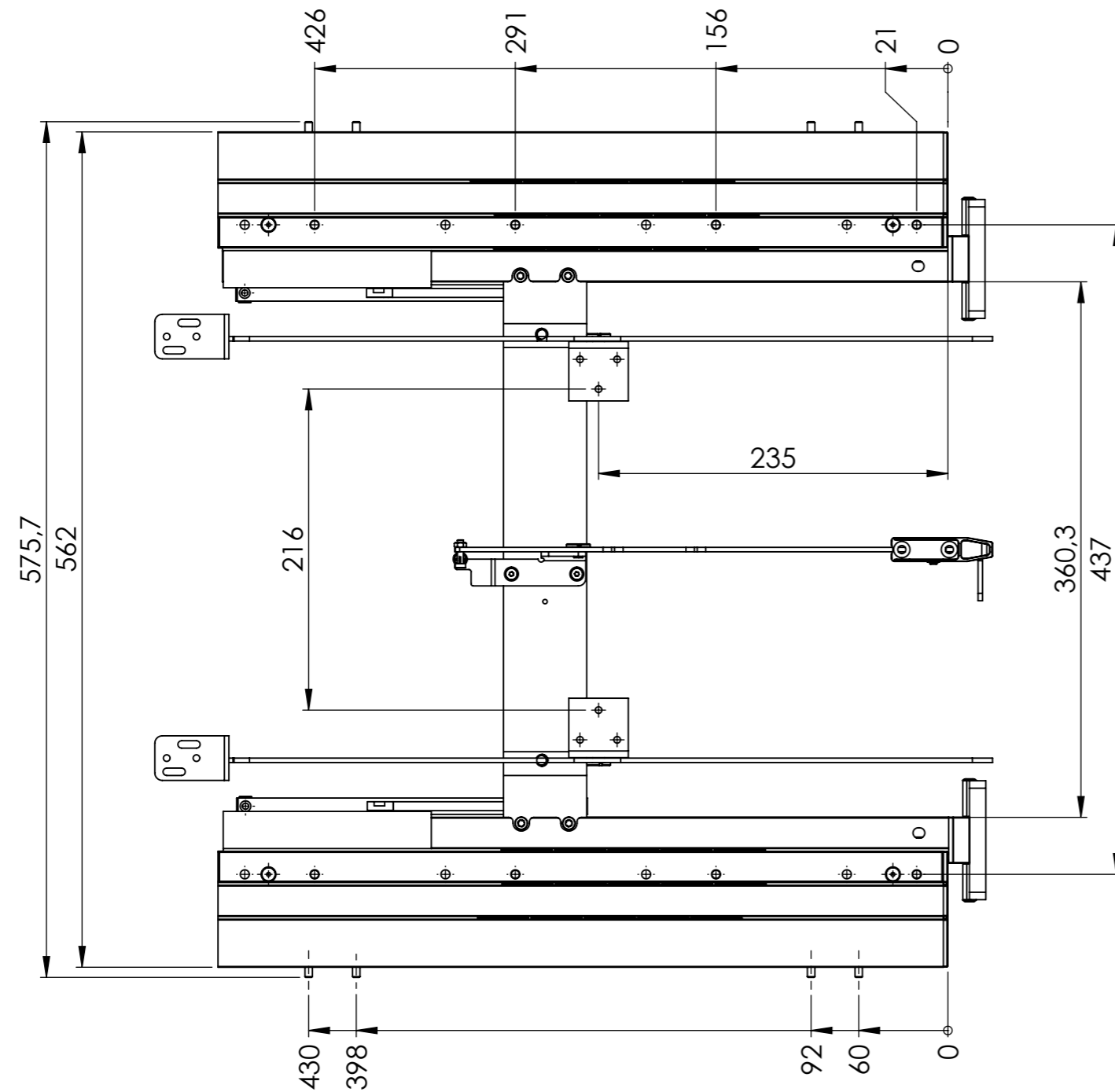
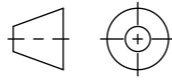



All property rights and rights to exploitation of copyright for this drawing data remain ours; they may not be made available to third parties without our consent.

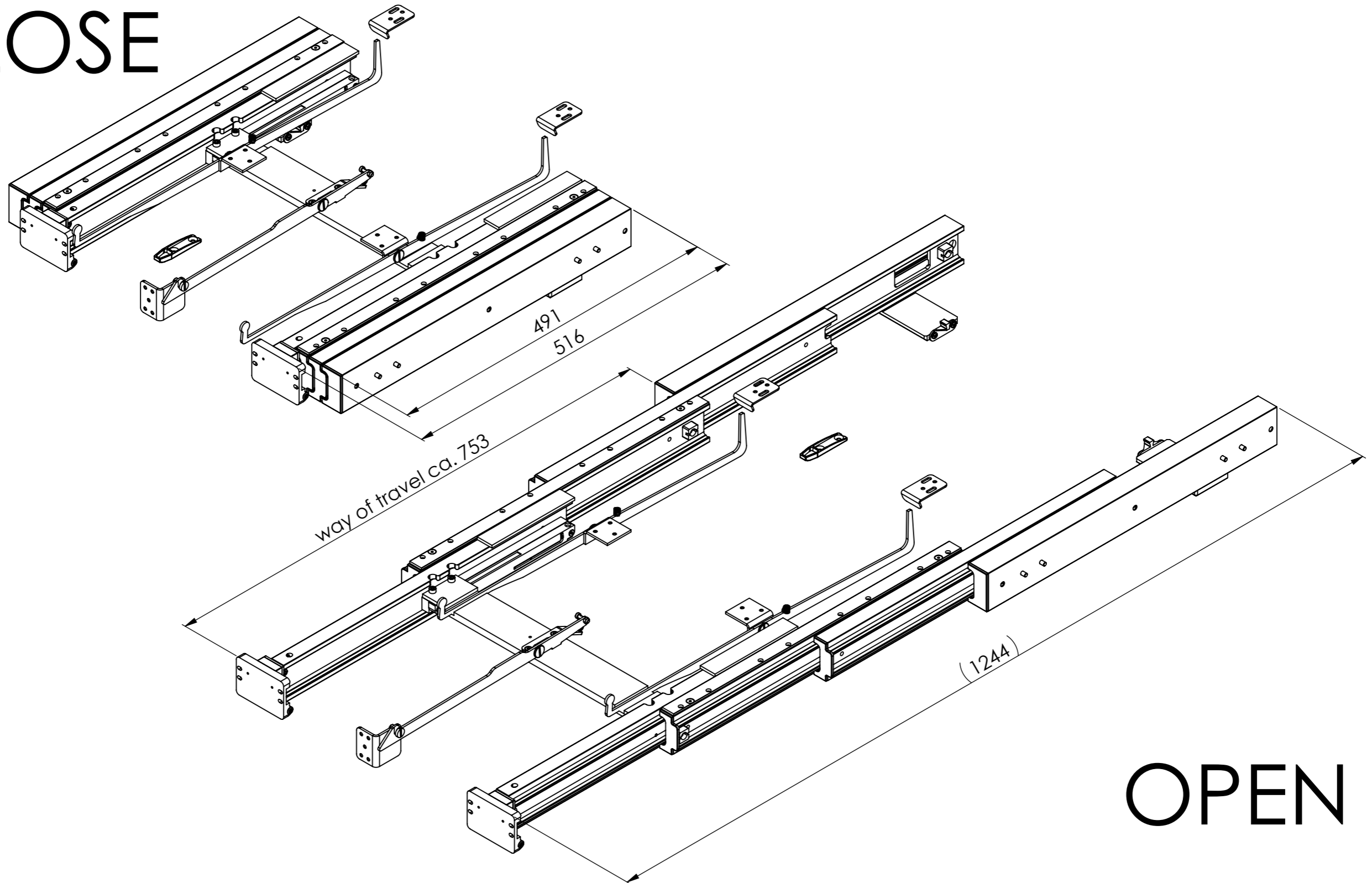


way of travel : ca. **753** mm

Index	Change			Date	Name
 DIN ISO 128-30	Description: Schubladen-Tisch 600/19/O				
	Surface:		Material:		Weight: 9.35 kg
 Transforming furniture	Name	Date	Company		
	Signed	A. Wewior	18.03.2021		
	Tested	A. Wewior	18.03.2021	Second Company:	
General tolerance: DIN ISO 2768 - m		Item No:	57060726	Scale 1:4	Page 1/4 A3

All property rights and rights to exploitation of copyright for this drawing data remain ours; they may not be made available to third parties without our consent.

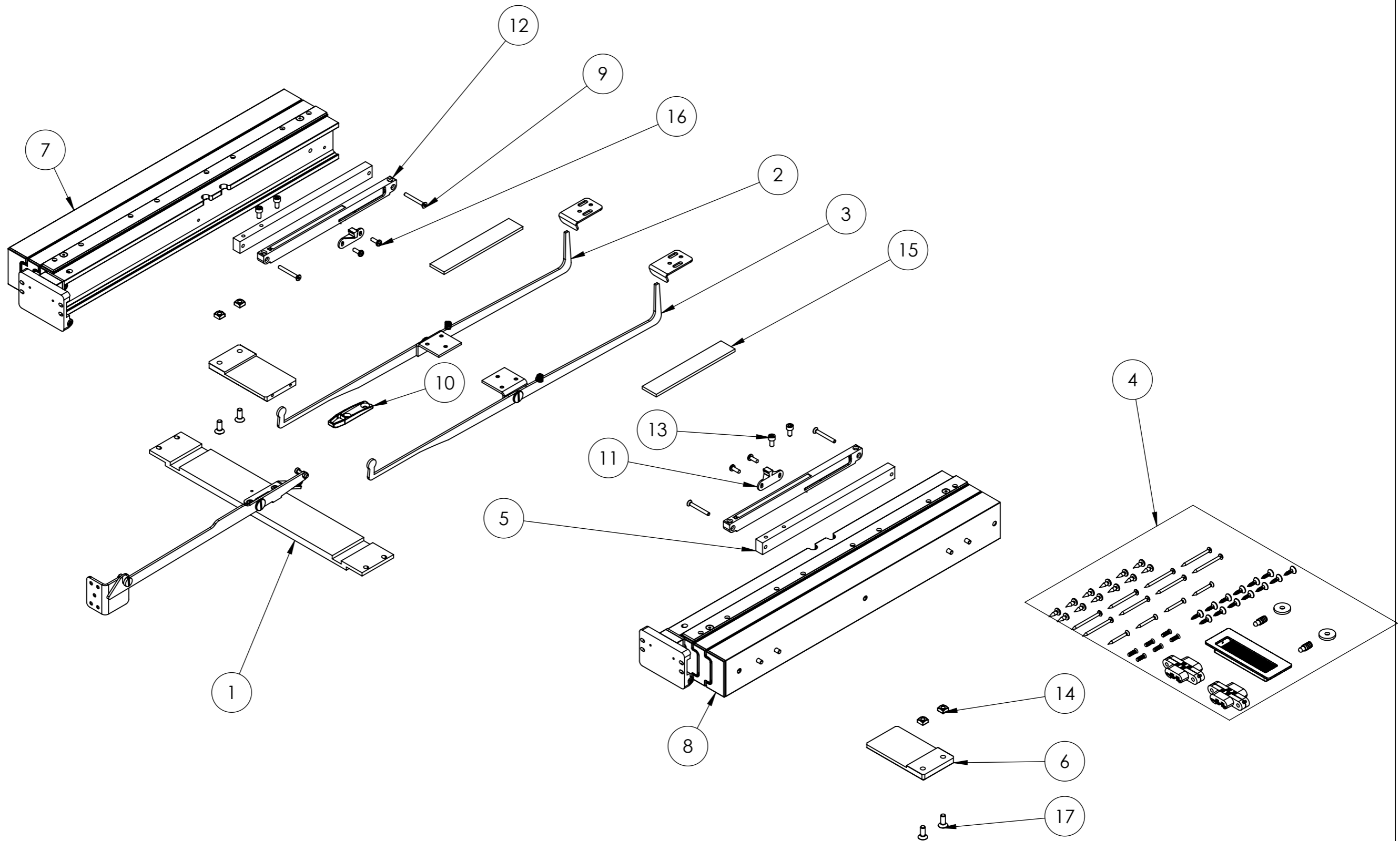
CLOSE

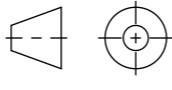



OPEN

<p>DIN ISO 128-30</p>	Description: Schubladen-Tisch 600/19/O					
	Surface:		Material:		Weight: 9.35 kg	
<p>PÖTTKER</p> <p>Transforming furniture</p>		Name	Date	Company		
	Signed	A. Wewior	18.03.2021			
	Tested	A. Wewior	18.03.2021	Second Company:		
General tolerance: DIN ISO 2768 - m		Item No:	57060726	Scale 1:5	Page 2/4	A3

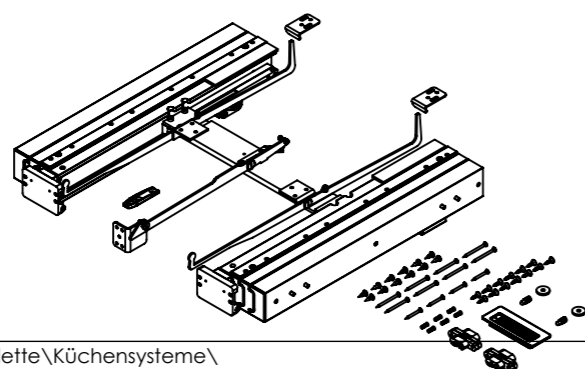
All property rights and rights to exploitation of copyright for this drawing data remain ours; they may not be made available to third parties without our consent.

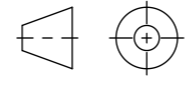



Index	Change			Date	Name
 DIN ISO 128-30	Description: Schubladen-Tisch 600/19/O				
	Surface:		Material:		Weight: 9.35 kg
 PÖTTKER Transforming furniture		Name	Date	Company	
	Signed	A. Wewior	18.03.2021		
	Tested	A. Wewior	18.03.2021	Second Company:	
General tolerance: DIN ISO 2768 -1		Item No: 57060726	Scale 1:5	Page 3/4	A3

All property rights and rights to exploitation of copyright for this drawing data remain ours; they may not be made available to third parties without our consent.

POS.	Item.No	Artikelbezeichnung	Menge
1	56990422	Frontblenden-Auslöser 600/19	1
2	56990416	Verriegelung Schubladen-Tisch li.	1
3	56990416	Verriegelung Schubladen-Tisch re.	1
4	56990409	Montage Set/Schubladen-Tisch	1
5	56990266	Halter Selbsteinzug 18x12x235	2
6	56010501	Alu-Flachprofil 56x10x103	2
7	55048608	A5F-T3/488.A5/488.A55T/KK5/li./O	1
8	55048608	A5F-T3/488.A5/488.A55T/KK5/re./O	1
9	16139	Senkkopfschraube+Inbus, M4x35-DIN 7991-vz	4
10	16080	Ausgleichssicherung/68x16x7/PC/silber	1
11	15780	Aktivator SP14 für Slidix II Selbsteinzug	2
12	15779	Selbsteinzug, Slidix II - 40Kg, 13N-Feder	2
13	15760	Zyl.-Schraube+Inbus, M5x10-DIN 912-vz	4
14	15751	Vierkantmutter, M6-DIN 557-vz	4
15	15569	Filzzuschnitt/140x25x4/selbstklebend	2
16	15182	Bohrschraube+Linsenkopf, Ø3,9x13-DIN 7504M-vz	4
17	15177	Senkkopfschraube+Inbus, M6x16-DIN 7991-vz	4



 DIN ISO 128-30	Description: Schubladen-Tisch 600/19/O			Weight: 9.35 kg	
	Surface:		Material:		
 Transforming furniture	Name	Date	Company		
	Signed	A. Wewior	18.03.2021	Second Company:	
	Tested	A. Wewior	18.03.2021		
General tolerance: DIN ISO 2768 -1		Item No: 57060726	Scale 1:12	Page 4/4	A3